

D-Sub Connectors

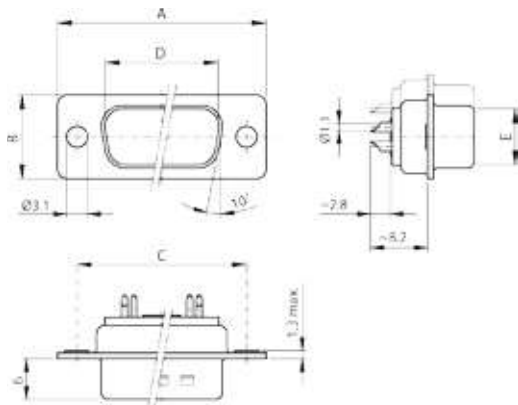
Solder Cup

Specifications:

Insulator:	UL94 V-0, TP
Shell:	Stamped Steel, Tin Plated
Contacts:	Copper Alloy
Contact Plating:	Gold over Nickel
Signal Contacts:	Class 2 - 200 mating cycles, AWG 18

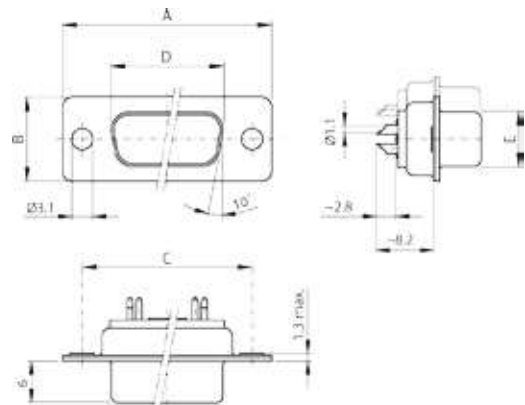


Plug connector



Size	A	B	C	D	E
DE	30.80	12.40	25.00	16.79	08.23
DA	39.20	12.40	33.30	25.12	08.23
DB	53.10	12.40	47.00	38.84	08.23
DC	69.50	12.40	63.50	55.30	08.23
DD	67.00	15.40	61.10	52.68	10.95

Socket connector



Size	A	B	C	D	E
DE	30.80	12.40	25.00	16.46	08.02
DA	39.20	12.40	33.30	24.79	08.02
DB	53.10	12.40	47.00	38.50	08.02
DC	69.50	12.40	63.50	54.96	08.02
DD	67.00	15.40	61.10	52.55	10.87

Order Codes:

Plug Connector

No. Pos.	Special Contacts	Name:	Part No.
05	1	DTS 5W1 PZ	3310-0100-01
02	2	DTS 2W2 PS	3310-0100-02
03	3	DTS 3W3 P	3310-0101-01
03	3	DTS 3W3 PSP	3310-0101-02
07	2	DTS 7W2 PZ	3310-0101-03
11	1	DTS 11W1 PZ	3310-0101-04
05	5	DTS 5W5 P	3310-0102-01
09	4	DTS 9W4 PZ	3310-0102-02
13	3	DTS 13W3 PZ	3310-0102-03
17	2	DTS 17W2 PZ	3310-0102-04
21	1	DTS 21W1 PZ	3310-0102-05
08	8	DTS 8W8 P	3310-0103-01
13	6	DTS 13W6 PZ	3310-0103-02
17	5	DTS 17W5 PZ	3310-0103-03
21	4	DTS 21WA4 PZ	3310-0103-04
25	3	DTS 25W3 PZ	3310-0103-05
27	2	DTS 27W2 PZ	3310-0103-06
24	7	DTS 24W7 PZ	3310-0104-01
36	4	DTS 36W4 PZ	3310-0104-02
43	2	DTS 43W2 PZ	3310-0104-03

Socket Connector

No. Pos.	Special Contacts	Name:	Part No.
05	1	DTS 5W1 SZ	3310-0100-11
02	2	DTS 2W2 SP	3310-0100-12
03	3	DTS 3W3 S	3310-0101-11
03	3	DTS 3W3 SPS	3310-0101-12
07	2	DTS 7W2 SZ	3310-0101-13
11	1	DTS 11W1 SZ	3310-0101-14
05	5	DTS 5W5 S	3310-0102-11
09	4	DTS 9W4 SZ	3310-0102-12
13	3	DTS 13W3 SZ	3310-0102-13
17	2	DTS 17W2 SZ	3310-0102-14
21	1	DTS 21W1 SZ	3310-0102-15
08	8	DTS 8W8 S	3310-0103-11
13	6	DTS 13W6 SZ	3310-0103-12
17	5	DTS 17W5 SZ	3310-0103-13
21	4	DTS 21WA4 SZ	3310-0103-14
25	3	DTS 25W3 SZ	3310-0103-15
27	2	DTS 27W2 SZ	3310-0103-16
24	7	DTS 24W7 SZ	3310-0104-11
36	4	DTS 36W4 SZ	3310-0104-12
43	2	DTS 43W2 SZ	3310-0104-13

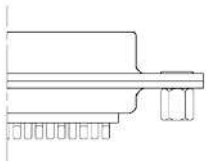


D-Sub Connectors

Order Codes - Option A01 - Back Nut UNC 4-40

Option A01

Back Nut, UNC 4-40



Plug Connector

Any Size xxxx-xxxx-xx-A01

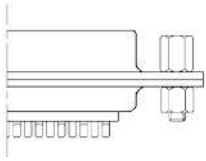
Socket Connector

Any Size xxxx-xxxx-xx-A01

Order Codes - Option A03 - Back Nut + Screw Nut, 5mm Thread, UNC 4-40

Option A03

Back Nut, UNC 4-40 +
Screw Nut, UNC 4-40



Plug Connector

Any Size xxxx-xxxx-xx-A03

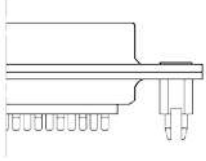
Socket Connector

Any Size xxxx-xxxx-xx-A03

Order Codes - Option A07 - Brackets for PCB with inner thread UNC 4-40

Option A07

Brackets for PCB +
Inner thread UNC 4-40



Plug Connector

Any Size xxxx-xxxx-xx-A07

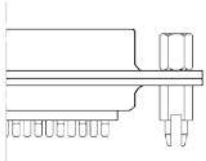
Socket Connector

Any Size xxxx-xxxx-xx-A07

Order Codes - Option A09 - Brackets for PCB with Screw Nut, 5mm thread, UNC 4-40

Option A09

Brackets for PCB +
Screw Nut UNC 4-40



Plug Connector

Any Size xxxx-xxxx-xx-A09

Socket Connector

Any Size xxxx-xxxx-xx-A09



Encitech Connectors AB

Rörkullsvägen 4
SE-302 41 HALMSTAD, Sweden

Tel: +46-(0)35-15 13 90
e-mail: connectors@encitech.com

www.encitech.com