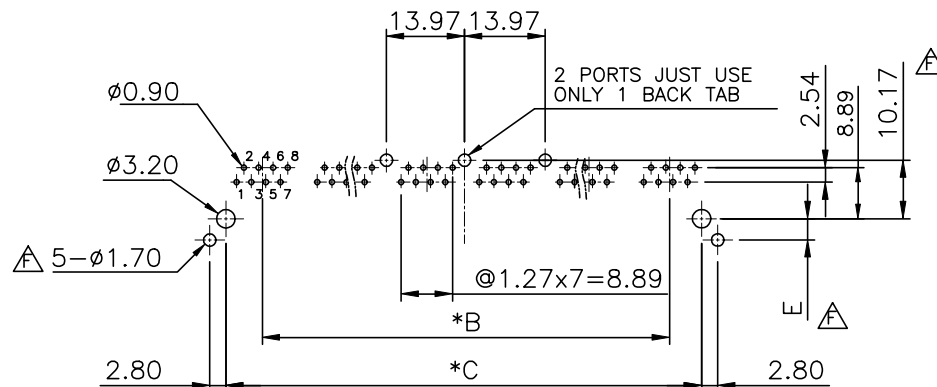
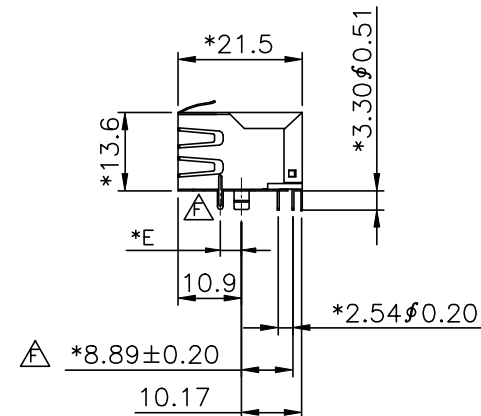
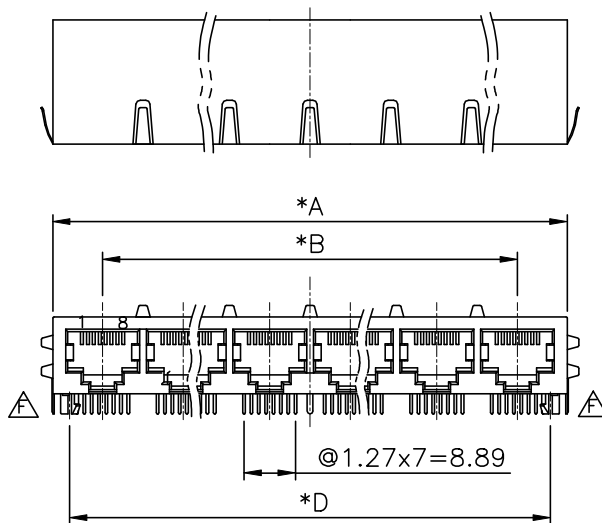


RoHS

THIS IS A RoHS COMPLIANT COMPONENT/PRODUCT.



PC Board Layout Component Side Shown

**NOTES:**

**ELECTRICAL:**

- 1. VOLTAGE RATING : 125 VAC.
- 2. CURRENT RATING : 1.5 AMP.
- 3. CONTACT RESISTANCE : 35 MILLIOHMS MAX.
- 4. INSULATION RESISTANCE : 1000 MEGOHMS MIN. @ 500 VDC.
- 5. DIELECTRIC STRENGTH : 1000 VAC 60Hz, 1MIN.

**MECHANICAL:**

- 1. HOUSING MATERIAL : HIGH TEMP. UL94V-0.
- 2. CONTACT MATERIAL : PHOSPHOR BRONZE t=0.35 mm.
- 3. PLATING : GOLD PLATING OVER NICKEL.
- 4. OPERATING LIFE : 750 CYCLES MIN.
- 5. PCB RETENTION PRE-SOLDER : 1 LB MIN.
- 6. PCB RETENTION POST-SOLDER : 10 LBS MIN.

**ENVIRONMENTAL:**

- 1. STORAGE : -40°C TO +85°C.
- 2. OPERATION : -40°C TO +85°C.

△ MATES WITH MODULAR PLUG CONFORMING TO TIA-1096-A.

**ORDERING INFORMATION:**

| PART NUMBER  | PRODUCT CODE        | CONFIGURATION                                     |
|--------------|---------------------|---|
| 3259-0010-01 | RJJU-88-222-E9H-002 | 6U" GOLD PLATING, TOP & SIDE EMI TABS, IX2 PORTS  |
| 3259-0010-02 | RJJU-88-422-E9H-002 | 6U" GOLD PLATING, TOP & SIDE EMI TABS, IX4 PORTS  |
| 3259-0010-03 | RJJU-88-622-E9H-002 | 6U" GOLD PLATING, TOP & SIDE EMI TABS, IX6 PORTS  |
| 3259-0010-04 | RJJU-88-822-E9H-002 | 6U" GOLD PLATING, TOP & SIDE EMI TABS, IX8 PORTS  |
| 3259-0010-05 | RJJU-88-242-E9H-002 | 30U" GOLD PLATING, TOP & SIDE EMI TABS, IX2 PORTS |
| 3259-0010-06 | RJJU-88-442-E9H-002 | 30U" GOLD PLATING, TOP & SIDE EMI TABS, IX4 PORTS |
| 3259-0010-07 | RJJU-88-642-E9H-002 | 30U" GOLD PLATING, TOP & SIDE EMI TABS, IX6 PORTS |
| 3259-0010-08 | RJJU-88-842-E9H-002 | 30U" GOLD PLATING, TOP & SIDE EMI TABS, IX8 PORTS |

| PORTS | DIM"A"∅0.20 | DIM"B"∅0.20 | DIM"C"∅0.10 | DIM"D"∅0.15 |
|-------|-------------|-------------|-------------|-------------|
| 1x2   | 31.24       | 13.97       | 25.40       | 25.40       |
| 1x4   | 59.18       | 41.91       | 53.34       | 53.34       |
| 1x6   | 87.12       | 69.85       | 81.28       | 81.28       |
| 1x8   | 115.06      | 97.79       | 109.22      | 109.22      |

E FRONT PEG 3.68

UL US UL RECOGNIZED - FILE #E465899

|      |        |                 |        |        |
|------|--------|-----------------|--------|--------|
| △ X8 |        | MODIFY DRAWING  | MAYER  | 062113 |
| △ X1 |        | ADD PART NO.(3) | DORIS  | 030311 |
| △ X1 |        | ADD PART NO.(3) | YANG   | 042109 |
| △ X1 |        | ADD PART NO.(3) | SAIL   | 070208 |
| △ X0 | 000000 | ADD PART NO.(3) | SAIL   | 110707 |
| △ X0 |        | NEW DESIGN      | LINGER | 102406 |

| MARK                  | ECN-NO. | REVISION RECORD                      | DRAWN     | DATE      |
|-----------------------|---------|--------------------------------------|-----------|-----------|
|                       |         | UNLESS OTHERWISE SPECIFIED TOLERANCE | SCALE 1/1 | CHECKED   |
|                       |         | Dimension Range Tolerance            | UNIT mm   | APPROVED  |
|                       |         | X.X ±0.20                            |           |           |
|                       |         | X.XX ±0.15                           |           |           |
|                       |         | X.XXX ±0.10                          | SIZE A3   | SHEET 1/1 |
|                       |         | ANGLE ±5°                            |           |           |
| Material/Plated/Notes |         | NAME                                 |           |           |
| SEE NOTE              |         | 1XN SIDE ENTRY PCB JACK 8P 20.57     |           |           |
| Part No.              |         | PART NO. SEE NOTE                    |           | REV. F    |
| Doc No.               |         |                                      |           |           |